

SHUNFENG

NINGBO SHENGLU BICYCLE CO.,LTD

COMPLAIN EMAIL

yumengjiong@shunfeng-china.com

INTERNATIONAL TRADE

TEL +86-574-55835520 55835521 55835523

MOBIL +86-13906622233

FAX +86-574-63549388

E-MAIL info@shunfeng-china.com
office@shunfeng-china.com
feng@shunfeng-china.com
yumengjiong@shunfeng-china.com

DOMESTIC BUSINESS

TEL +86-574-55835530 55835535

MOBIL +86-13906622233

FAX +86-574-63549388

E-MAIL mengjiong@shunfeng-china.com
yu@shunfeng-china.com



SHENGLU BICYCLE 2027 PRODUCT CATALOGUE

NOTE: The product may have color difference due to printing, please refer to the actual product the more progress!

SHUNFENG

2027

SHENGLU BICYCLE

2027
PRODUCT CATALOGUE

COMPANY PROFILE

Ningbo Shenglu Bicycle Co.,Ltd located in Ningbo City, Zhejiang province, China. Since it established in 1998, the company has been adhering to the "People-oriented! Unite and forge ahead!" as enterprise culture, adhere to the "to provide customers with good quality products and the most competitive price"as business philosophy! In the course of more than 20 years of development, it has been built into a professional manufacturing enterprise covering an area of more than 80,000m², with annual production capacity of 15 million prs steel hubs, 5 million pcs freewheels, and with complete production chain and facilities. The leading brand of Ningbo Shenglu Bicycle company is "SHUNFENG" which also enjoys a good reputation in the industry. We provide customers with our best service and the same times we pay more attention to our manufacturing capacity improvement.

We own complete production chain: punch, Aluminum forging,CNC, cold forging, cold extruding, black and phosphating, Aluminum oxidation, CP and ED planting , heat treatment, assembling.

What's more, the company also focuses on industrial automation to reduce the labor intensity. until now we already completed Auto punch, Auto CNC, Auto hub assembling, Auto freewheel assembling .

Our company also use solar photovoltaic power generation actively responds to the call of energy saving and emission reduction.

in the future, Ningbo Shenglu Bicycle Co., Ltd will try to offer all of our customers with best quality and service, while paying attention to environmental protection and social responsibility, strive to make the more progress!

SHUNFENG

OWB

INDEX

01

WHEEL SERIES

09

ROAD SERIES

17

THRU SERIES

25

ALLOY HUB SERIES

45

STEEL HUB SERIES

53

FREEWHEEL SERIES

61

DISC BRAKE SERIES



WHEEL SERIES



/ 16inch /



26RU07

- 840g +/-3%
- 16", 25mm
- T700 3K 38Depth
- 3Pawls 24T
- 7speed
- 9x16Hx74 10x20Hx112



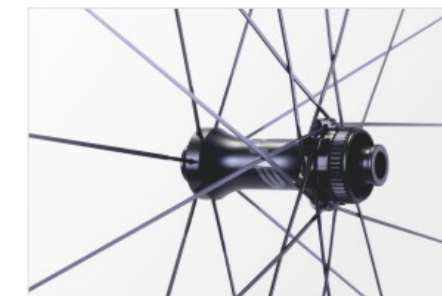
CT0-Q01F



CT01-Q241R

24RC01

- RoadDisc CenterLock
- 1395g +/-3%
- 700.28C
- TORAY T700+T800 UD 50Depth
- 3Pawls 48T
- HG/XDR
- 12x(14+7H)x100 12x(8+16H)x142



RT-T41F



RT-481R



24RC03

- RoadDisc CenterLock
- 1340g +/-3%
- 700.30C
- TORAY T800+T1000 UD 50Depth
- 36T Ratchet
- HG/XDR
- 12x24Hx100 12x24Hx142



RT-T02F



SRT2-361R

24RC06

- RoadDisc CenterLock
- 1398g +/-3%
- 700.28C
- TORAY T700+T800 UD 5156Depth
- 36T Ratchet
- HG/XDR
- 12x24Hx100 12x24Hx142



RT-T02F



SRT2-361R



26RC02

- RoadDisc CenterLock
- 1450g +/-3%
- 700.28C
- TORAY T700+T800 UD 40Depth
- 36T Ratchet
- HG/XDR
- 12x24Hx100 12x24Hx142



RT-T03F



SRT3-361R

26RC03

- RoadDisc CenterLock
- 1280g +/-3%
- 700.28C
- TORAY T800+T1000 UD 45Depth
- 36T Ratchet
- HG/XDR
- 12x(12+6H)x100 12x(7+14H)x142



RT-T07F



SRT7-361R



25MC01

- MTB BoostCenterLock
- 1485g +/-3%
- 29"x22Depth OffsetRim
- TORAY T700+T800 UD
- 6Pawls 60x2T
- HG/MS
- 15x28Hx110 12x28Hx148

25MC02

- MTB BoostCenterLock
- 1515g +/-3%
- 29"x 25Depth
- TORAY T700+T800 UD
- 6Pawls 60x2T
- HG/MS
- 15x28Hx110 12x28Hx148



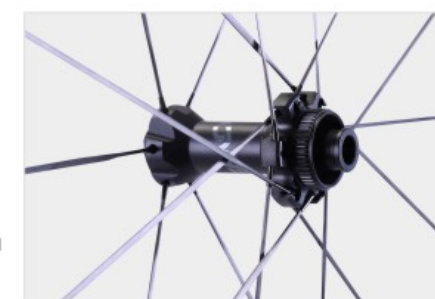
MT-T101F



MT-1205R

26RC04

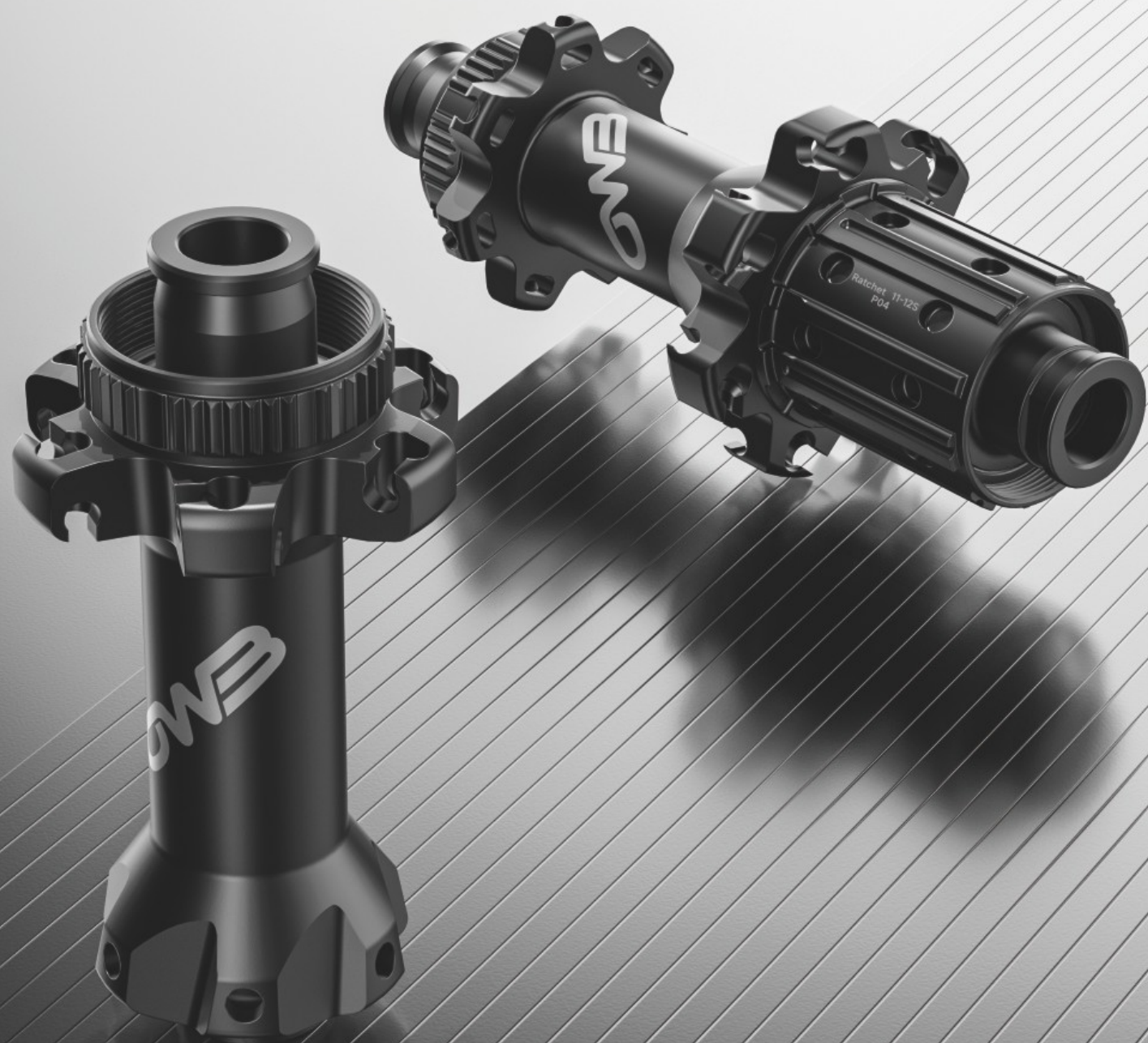
- RoadDisc CenterLock
- 1150g +/-3%
- 700.28C
- TORAY T800+T1000 UD 45Depth
- 36T Ratchet
- HG/XDR
- 12x(12+6H)x100 12x(7+14H)x142



CRT-T03F



CSRT3-361R

ROAD
SERIES

CRT-T01F ROAD

HOLES	14+7H
O.L.D	100mm
AXLE	12mm
HUB MATERIAL	AL-7075
AXLE MATERIAL	AL-7075
WEIGHT	93g



CSRT1-361R ROAD 11-12S

HOLES	8+16H
O.L.D	142mm
AXLE	12mm
HUB MATERIAL	AL-7075
AXLE MATERIAL	AL-7075
WEIGHT	185g



CRT-T02F ROAD

HOLES	14+7H
O.L.D	100mm
AXLE	12mm
AXLE MATERIAL	AL-7075
WEIGHT	150g



CSRT2-361R ROAD 11-12S

HOLES	8+16H
O.L.D	142mm
AXLE	12mm
AXLE MATERIAL	AL-7075
WEIGHT	234g

NEW



CRT-T03F ROAD

HOLES	12+6H
O.L.D	100mm
AXLE	12mm
AXLE MATERIAL	AL-7075
WEIGHT	95g



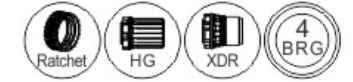
CSRT3-361R ROAD 11-12S

HOLES	7+14H
O.L.D	142mm
AXLE	12mm
AXLE MATERIAL	AL-7075
WEIGHT	185g



RT-T02F ROAD

HOLES	24H
O.L.D	100mm
AXLE	12mm
AXLE MATERIAL	AL-7075
WEIGHT	102g



SRT2-361R ROAD 11-12S

HOLES	24H
O.L.D	142mm
AXLE	12mm
AXLE MATERIAL	AL-7075
WEIGHT	230g



RT-T01F ROAD

HOLES	24H
O.L.D	100mm
AXLE	12mm
AXLE MATERIAL	AL-7075
WEIGHT	110g



SRT1-361R ROAD 11-12S

HOLES	24H
O.L.D	142mm
AXLE	12mm
AXLE MATERIAL	AL-7075
WEIGHT	220g



RT-T03F ROAD

HOLES	24H
O.L.D	100mm
AXLE	12mm
AXLE MATERIAL	AL-7075
WEIGHT	90g



SRT3-361R ROAD 11-12S

HOLES	24H
O.L.D	142mm
AXLE	12mm
AXLE MATERIAL	AL-7075
WEIGHT	208g



RT-T41F ROAD

HOLES	14+7H
O.L.D	100mm
AXLE	12mm
AXLE MATERIAL	AL-7075
WEIGHT	103g

SRT4-361R ROAD 11-12S
RT-481R ROAD 11-12S

HOLES	8+16H
O.L.D	142mm
AXLE	12mm
AXLE MATERIAL	AL-7075
WEIGHT	204g

NEW



RT-T07F ROAD

HOLES	12+6H
O.L.D	100mm
AXLE	12mm
AXLE MATERIAL	AL-7075
WEIGHT	106g



SRT7-361R ROAD 11-12S

HOLES	7+14H
O.L.D	142mm
AXLE	12mm
AXLE MATERIAL	AL-7075
WEIGHT	216g

NEW



RT-T06F ROAD

HOLES	24H
O.L.D	100mm
AXLE	12mm
AXLE MATERIAL	AL-7075
WEIGHT	108g



SRT6-361R ROAD 11-12S

HOLES	24H
O.L.D	142mm
AXLE	12mm
AXLE MATERIAL	AL-7075
WEIGHT	200g

NEW



CTO-Q01F CITY

HOLES	16H
O.L.D	74mm
AXLE	9mm
AXLE MATERIAL	AL-7075
WEIGHT	66g



CTO1-Q241R CITY HG7S

HOLES	20H
O.L.D	112mm
AXLE	10mm
AXLE MATERIAL	AL-7075
WEIGHT	185g



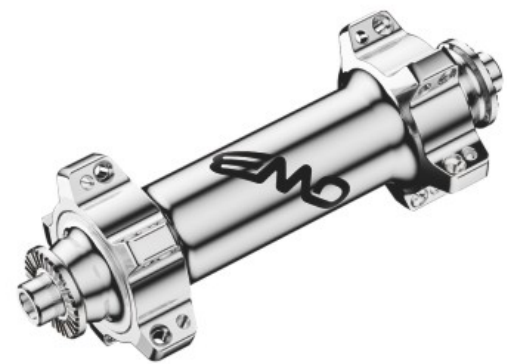
RTO-Q01F ROAD

HOLES	18H
O.L.D	100mm
AXLE	9mm
AXLE MATERIAL	AL-7075
WEIGHT	90g



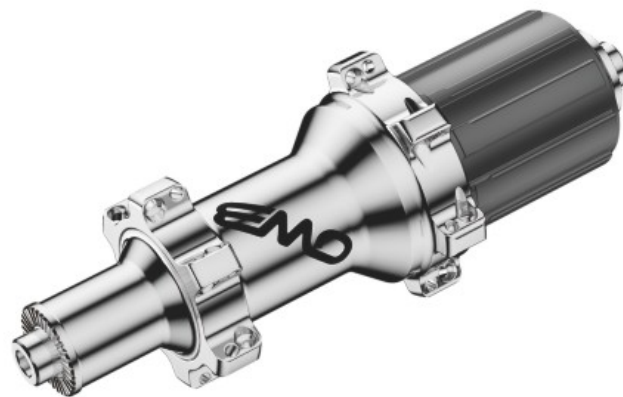
SRT01-Q361R ROAD 11-12S

HOLES	8+16H
O.L.D	130mm
AXLE	10mm
AXLE MATERIAL	AL-7075
WEIGHT	213g



RTO-Q02F ROAD

HOLES	20H
O.L.D	100mm
AXLE	9mm
AXLE MATERIAL	AL-7075
WEIGHT	88g



SRT02-Q361R ROAD 11-12S

HOLES	24H
O.L.D	130mm
AXLE	10mm
AXLE MATERIAL	AL-7075
WEIGHT	190g



MT-T01F MTB

HOLES	28H
O.L.D	100mm
AXLE	12mm
AXLE MATERIAL	AL-7075
WEIGHT	134g



SMT-901R MTB 8-12S

HOLES	28H
O.L.D	142mm
AXLE	12mm
AXLE MATERIAL	AL-7075
WEIGHT	275g



MT-T101F MTB

HOLES	28H
O.L.D	110mm
AXLE	15mm
AXLE MATERIAL	AL-7075
WEIGHT	138g



MT-1201R MTB 8-12S

HOLES	28H
O.L.D	148mm
AXLE	12mm
AXLE MATERIAL	AL-7075
WEIGHT	258g

THRU SERIES



NEW



ND-Q01F

HOLES	28H 32H 36H
GAUGE	14G
P.C.D	φ 58mm
F.T.F	60mm
O.L.D	100mm
AXLE	φ 9mm
AXLE MATERIAL	AL-7075(T6)
WEIGHT	165g



ND-Q1201R 8-12S

HOLES	28H 32H 36H
GAUGE	14G
P.C.D	φ 58mm
F.T.F	55.5mm
O.L.D	135mm
AXLE	φ 10mm
AXLE MATERIAL	AL-7075(T6)
WEIGHT	273g



RC-T01F ROAD

HOLES	24H 28H 32H
P.C.D	φ 45mm
F.T.F	60mm
O.L.D	100mm
AXLE	12mm
AXLE MATERIAL	AL-7075
WEIGHT	128g



SRC-361R ROAD 11-12S

HOLES	24H 28H 32H
P.C.D	φ 54mm
F.T.F	55.5mm
O.L.D	142mm
AXLE	12mm
AXLE MATERIAL	AL-7075
WEIGHT	256g



RC-241R ROAD 11-12S

HOLES	24H 28H 32H
P.C.D	φ 49mm 54mm
F.T.F	57.5mm
O.L.D	142mm
AXLE	12mm
AXLE MATERIAL	AL-7075
WEIGHT	265g 275g



RC-1201R ROAD 11-12S

HOLES	24H 28H 32H
P.C.D	φ 58mm
F.T.F	56mm
O.L.D	142mm
AXLE	12mm
AXLE MATERIAL	AL-7075
WEIGHT	295g





RD-T01F ROAD

HOLES	24H 28H 32H
GAUGE	14G
P.C.D	φ 58mm
F.T.F	59mm
O.L.D	100mm
AXLE	12mm
AXLE MATERIAL	AL-7075
WEIGHT	160g



SRD-361R ROAD 11-12S

HOLES	24H 28H 32H
GAUGE	14G
P.C.D	φ 54mm
F.T.F	55.5mm
O.L.D	142mm
AXLE	12mm
AXLE MATERIAL	AL-7075
WEIGHT	256g



RD-241R ROAD 11-12S

HOLES	24H 28H 32H
GAUGE	14G
P.C.D	φ 58mm
F.T.F	55.5mm
O.L.D	142mm
AXLE	12mm
AXLE MATERIAL	AL-7075
WEIGHT	300g



RD-1201R ROAD 11-12S

HOLES	24H 28H 32H
GAUGE	14G
P.C.D	φ 58mm
F.T.F	56mm
O.L.D	142mm
AXLE	12mm
AXLE MATERIAL	AL-7075
WEIGHT	298g



MC-T01F/T101F MTB

HOLES	24H 28H 32H
GAUGE	14G
P.C.D	φ 45mm
F.T.F	61/71mm
O.L.D	100/110mm
AXLE	15mm
AXLE MATERIAL	AL-7075
WEIGHT	128g/138g



SMC-361R/3681R MTB 8-12S

HOLES	24H 28H 32H
GAUGE	14G
P.C.D	φ 54mm
F.T.F	57.5/63.5mm
O.L.D	142/148mm
AXLE	12mm
AXLE MATERIAL	AL-7075
WEIGHT	269g/277g



MC-241R/2481R MTB 8-12S

HOLES	24H 28H 32H
GAUGE	14G
P.C.D	φ 54mm
F.T.F	57.5/61.5/63.5mm
O.L.D	142/148mm
AXLE	12mm
AXLE MATERIAL	AL-7075
WEIGHT	289g/293g



MC-1201R/12081R MTB 8-12S

HOLES	24H 28H 32H
GAUGE	14G
P.C.D	φ 58mm
F.T.F	57.5/61.5/63.5mm
O.L.D	142/148mm
AXLE	12mm
AXLE MATERIAL	AL-7075
WEIGHT	295g/298g





MD-T01F/T101F MTB

HOLES	24H 28H 32H
GAUGE	14G
P.C.D	φ 58mm
F.T.F	61/71mm
O.L.D	100/110mm
AXLE	15mm
AXLE MATERIAL	AL-7075
WEIGHT	160g



SMD-361R/3681R MTB 8-12S

HOLES	24H 28H 32H
GAUGE	14G
P.C.D	φ 58mm
F.T.F	57.5/63.5mm
O.L.D	142/148mm
AXLE	12mm
AXLE MATERIAL	AL-7075
WEIGHT	285g/290g



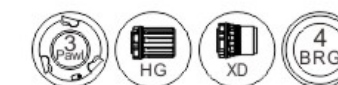
MD-241R/2481R MTB 8-12S

HOLES	24H 28H 32H
GAUGE	14G
P.C.D	φ 58mm
F.T.F	57.5/61.5/63.5mm
O.L.D	142/148mm
AXLE	12mm
AXLE MATERIAL	AL-7075
WEIGHT	288g/294g



MD-601R/6081R MTB 8-12S

HOLES	24H 28H 32H
GAUGE	14G
P.C.D	φ 58mm
F.T.F	57.5/61.5/63.5mm
O.L.D	142/148mm
AXLE	12mm
AXLE MATERIAL	AL-7075
WEIGHT	292g/304g



HMC-242R/2482R E-BIKE 8-12S

HOLES	28H 32H 36H
GAUGE	13G 14G
P.C.D	φ 54mm
F.T.F	57.5/63.5mm
O.L.D	142/148mm
AXLE	12mm
AXLE MATERIAL	AL-7075
WEIGHT	292g/295g



MD-T135F E-BIKE

HOLES	28H 32H 36H
GAUGE	13G 14G
P.C.D	φ 58mm
F.T.F	82mm
O.L.D	135mm
AXLE	15mm
AXLE MATERIAL	AL-7075
WEIGHT	185g



MD-T150F E-BIKE

HOLES	28H 32H 36H
GAUGE	13G 14G
P.C.D	φ 58mm
F.T.F	97mm
O.L.D	150mm
AXLE	15mm
AXLE MATERIAL	AL-7075
WEIGHT	219g





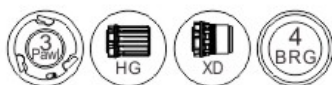
HMD-242R/2482R E-BIKE 8-12S

HOLES	28H 32H 36H
GAUGE	13G 14G
P.C.D	φ 58mm
F.T.F	57.5/63.5mm
O.L.D	142/148mm
AXLE	12mm
AXLE MATERIAL	AL-7075
WEIGHT	382g/385g



HMD-4272R E-BIKE 8-10S

HOLES	28H 32H 36H
GAUGE	13G 14G
P.C.D	φ 58mm
F.T.F	100mm
O.L.D	197mm
AXLE	12mm
AXLE MATERIAL	AL-7075
WEIGHT	464g



HMD-2472R E-BIKE 8-10S

HOLES	28H 32H 36H
GAUGE	13G 14G
P.C.D	φ 58mm
F.T.F	112.5mm
O.L.D	197mm
AXLE	12mm
AXLE MATERIAL	AL-7075
WEIGHT	446g



T01 QUICK RELEASE

Material	AL-7075(T6)
F:	M12xP1.0 M12xP1.5 M12xP1.75
R:	M12xP1.0 M12xP1.5 M12xP1.75
COLOR	Black



T02 QUICK RELEASE

Material	AL-7075(T6)
F:	M15xP1.5 M15xP1.75
COLOR	Black



T03 HOLLOW QUICK RELEASE

Material	AL-7075(T6)
F:	M12xP1.0 M12xP1.5 M12xP1.75
R:	M12xP1.0 M12xP1.5 M12xP1.75
COLOR	Black



T04 QUICK RELEASE

Material	AL-7075(T6)
F:	M12xP1.0 M12xP1.5 M12xP1.75
R:	M12xP1.0 M12xP1.5 M12xP1.75
COLOR	Black



HG(8-10S/11-12S)
Material:CrMo
Pawl:3



XD/XDR
Material:AL7075
Pawl:3



HG(8-10S/11-12S)
Material:CrMo
Pawl:6



HG(8-10S/11-12S)
Material:AL7075
Pawl:3



XD/XDR
Material:AL7075
Pawl:6



HG(8-10S/11-12S)
Material:AL7075
Pawl:6



MS(11-12S)
Material:AL7075
Pawl:3



HG(1S)
Material:AL-7075
Pawl:3



HG(1S)
Material:CrMo
Pawl:3

ALLOY HUB SERIES



/ ALLOY HUB /

SHUNFENG



SF-A201F

HOLE	24H 28H 32H 36H
GAUGE	12G 14G
P.C.D	φ 38mm
F.T.F	50/65/72mm
O.L.D	83/93/100mm
AXLE	3/8"-26T
AXLE MATERIAL	S45C
WEIGHT	212g



SF-A201R 6-8S

HOLE	24H 28H 32H 36H
GAUGE	12G 14G
P.C.D	φ 45mm
F.T.F	57mm
O.L.D	126/130/135mm
AXLE	3/8"-26T
AXLE MATERIAL	S45C
WEIGHT	311g



SF-A204FB

HOLE	24H 28H 32H 36H
GAUGE	12G 14G
P.C.D	φ 38mm
F.T.F	72mm
O.L.D	100mm
AXLE	3/8"-26T
AXLE MATERIAL	S45C
WEIGHT	233g



SF-A204RB 6-8S

HOLE	24H 28H 32H 36H
GAUGE	12G 14G
P.C.D	φ 45mm
F.T.F	57mm
O.L.D	126/130/135mm
AXLE	3/8"-26T
AXLE MATERIAL	S45C
WEIGHT	340g



SF-A206F

HOLES	24H 28H 32H 36H
GAUGE	14G 16G
P.C.D	φ 35mm
F.T.F	74mm
O.L.D	100mm
AXLE	3/8"-26T
AXLE MATERIAL	S45C
WEIGHT	175g



SF-A206R 1S

HOLES	28H 32H 40H 72H
GAUGE	14G 16G
P.C.D	φ 45mm
F.T.F	70mm
O.L.D	120mm
AXLE	3/8"-26T
AXLE MATERIAL	S45C
WEIGHT	287g



A210F	(Pearl bowl)
A210F2SE	(double seal)
A210FBSE	(bearing seal)



SF-A210FB

HOLES	28H 32H 36H
GAUGE	12G 13G 14G
P.C.D	φ 58mm
F.T.F	58mm
O.L.D	100mm
AXLE	3/8"-26T
AXLE MATERIAL	CrMo
WEIGHT	272g



A210R	(Pearl bowl)
A210R2SE	(double seal)
A210RBSE	(bearing seal)



SF-A210RB 6-8S

HOLES	28H 32H 36H
GAUGE	12G 13G 14G
P.C.D	φ 58mm
F.T.F	56/58mm
O.L.D	130/135mm
AXLE	3/8"-26T
AXLE MATERIAL	CrMo
WEIGHT	320g/325g



SF-A209F

HOLES	36H 48H 68H 72H
GAUGE	14G
P.C.D	φ 54/ φ 63mm
F.T.F	72mm
O.L.D	100mm
AXLE	3/8"-26T(M14"-P1.0)
AXLE MATERIAL	S45C
WEIGHT	265g



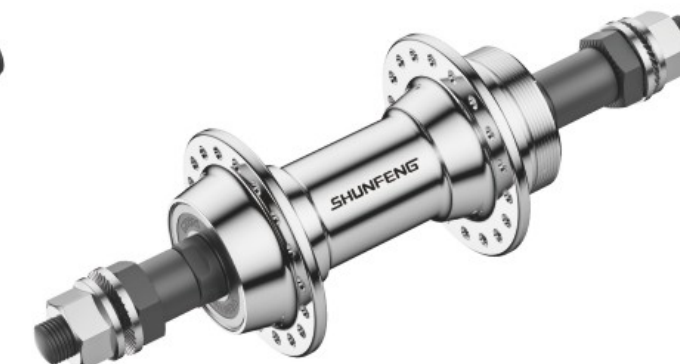
SF-A209R 1S

HOLES	36H 48H 68H 72H
GAUGE	14G
P.C.D	φ 54/ φ 63mm
F.T.F	57mm
O.L.D	110/114mm
AXLE	3/8"-26T(M14"-P1.0)
AXLE MATERIAL	S45C
WEIGHT	318g



SF-A213F

HOLES	24H 28H 32H 36H
GAUGE	12G 14G
P.C.D	φ 38mm
F.T.F	72mm
O.L.D	100mm
AXLE	3/8"-26T
AXLE MATERIAL	S45C
WEIGHT	210g



SF-A213R 6-8S

HOLES	24H 28H 32H 36H
GAUGE	12G 14G
P.C.D	φ 45mm
F.T.F	57mm
O.L.D	126/130/135mm
AXLE	3/8"-26T
AXLE MATERIAL	S45C
WEIGHT	320g



SF-A214FB

HOLES	28H 32H 36H
GAUGE	12G 13G 14G
P.C.D	φ 58mm
F.T.F	83mm
O.L.D	135mm
AXLE	3/8"-26T
AXLE MATERIAL	S45C
WEIGHT	415g

SF-A214RB 7-8S

HOLES	28H 32H 36H
GAUGE	12G 13G 14G
P.C.D	φ 58mm
F.T.F	93/112mm
O.L.D	170/190mm
AXLE	3/8"-26T
AXLE MATERIAL	S45C
WEIGHT	502g



SF-A216FBSE

HOLES	28H 32H 36H
GAUGE	13G 14G
P.C.D	φ 58mm
F.T.F	58mm
O.L.D	100mm
AXLE	3/8"-26T
AXLE MATERIAL	CrMo
WEIGHT	244g



SF-A216RBSE 8-12S

HOLES	28H 32H 36H
GAUGE	13G 14G
P.C.D	φ 58mm
F.T.F	56/58mm
O.L.D	135mm
AXLE	3/8"-26T
AXLE MATERIAL	CrMo
WEIGHT	460g/465g



A215FB bearing

SF-A215F2SE

HOLES	28H 32H 36H
GAUGE	13G 14G
P.C.D	φ 58mm
F.T.F	68mm
O.L.D	110mm
AXLE	3/8"-26T
AXLE MATERIAL	CrMo
WEIGHT	270g



A215RB bearing

SF-A215R2SE 7-12S

HOLES	28H 32H 36H
GAUGE	13G 14G
P.C.D	φ 58mm
F.T.F	62/66.5mm
O.L.D	142mm
AXLE	3/8"-26T
AXLE MATERIAL	CrMo
WEIGHT	445g



SF-A217F

HOLES	28H 32H 36H
GAUGE	13G 14G
P.C.D	φ 58mm
F.T.F	58mm
O.L.D	100mm
AXLE	3/8"-26T
AXLE MATERIAL	CrMo
WEIGHT	262g



SF-A217R 8-12S

HOLES	28H 32H 36H
GAUGE	13G 14G
P.C.D	φ 58mm
F.T.F	56/58mm
O.L.D	135mm
AXLE	3/8"-26T
AXLE MATERIAL	CrMo
WEIGHT	337g/442g



SF-A220F

HOLES	28H 32H 36H
GAUGE	13G 14G
P.C.D	φ 45mm
F.T.F	53/57mm
O.L.D	95/100mm
AXLE	3/8"-26T
AXLE MATERIAL	CrMo
WEIGHT	280g



SF-A220R 6S/8S

HOLES	28H 32H 36H
GAUGE	13G 14G
P.C.D	φ 45mm
F.T.F	57mm
O.L.D	130/135mm
AXLE	3/8"-26T
AXLE MATERIAL	CrMo
WEIGHT	328g



SF-A225FB

HOLES	28H 32H 36H
GAUGE	13G 14G
P.C.D	φ 58mm
F.T.F	58mm
O.L.D	100mm
AXLE	3/8"-26T
AXLE MATERIAL	S45C
WEIGHT	352g



SF-A225RB 7-8S

HOLES	28H 32H 36H
GAUGE	13G 14G
P.C.D	φ 58mm
F.T.F	56/58mm
O.L.D	135mm
AXLE	3/8"-26T
AXLE MATERIAL	S45C
WEIGHT	416g



SF-A222F

HOLES	28H 32H 36H
GAUGE	12G 14G
P.C.D	φ 45mm
F.T.F	58mm
O.L.D	95/100mm
AXLE	3/8"-26T
AXLE MATERIAL	S45C
WEIGHT	305g



SF-A222R 6S-7S

HOLES	28H 32H 36H
GAUGE	12G 14G
P.C.D	φ 45mm
F.T.F	58mm
O.L.D	130/135mm
AXLE	3/8"-26T
AXLE MATERIAL	S45C
WEIGHT	350g



SF-A226FB

HOLES	24H
GAUGE	14G
P.C.D	φ 45/ φ 38mm
F.T.F	58mm
O.L.D	100mm
AXLE	φ 9mm
AXLE MATERIAL	AL-7075(T6)
WEIGHT	110g



SF-A226RB 7-8S

HOLES	24H
GAUGE	14G
P.C.D	φ 45mm
F.T.F	56/58mm
O.L.D	135mm
AXLE	φ 10mm
AXLE MATERIAL	AL-7075(T6)
WEIGHT	152g



SF-A230FB

HOLES	20H 24H 28H 32H 36H
GAUGE	14G
P.C.D	φ 38mm
F.T.F	72mm
O.L.D	100mm
AXLE	3/8"-26T
AXLE MATERIAL	S45C
WEIGHT	222g



SF-A230RB 1S

HOLES	20H 24H 28H 32H 36H
GAUGE	14G
P.C.D	φ 45mm
F.T.F	57mm
O.L.D	110/112/114mm
AXLE	3/8"-26T
AXLE MATERIAL	S45C
THREAD SIZE	M30"-P1.0/BC1.37"-24T
WEIGHT	297g



SF-A236FB

HOLES	28H 32H 36H
GAUGE	13G 14G
P.C.D	φ 58mm
F.T.F	58mm
O.L.D	100mm
AXLE	3/8"-26T
AXLE MATERIAL	CrMo
WEIGHT	284g



SF-A236RB 7-8S

HOLES	28H 32H 36H
GAUGE	13G 14G
P.C.D	φ 58mm
F.T.F	56/58mm
O.L.D	135mm
AXLE	3/8"-26T
AXLE MATERIAL	CrMo
WEIGHT	336g



SF-A231F

HOLES	24H 28H 32H 36H
GAUGE	14G
P.C.D	φ 38mm
F.T.F	72mm
O.L.D	100mm
AXLE	3/8"-26T
AXLE MATERIAL	CrMo
WEIGHT	152g



SF-A231R 7S-12S

HOLES	24H 28H 32H 36H
GAUGE	14G
P.C.D	φ 45mm
F.T.F	57mm
O.L.D	130/135mm
AXLE	3/8"-26T
AXLE MATERIAL	CrMo
WEIGHT	380g



SF-A239FB

HOLES	28H 32H 36H
GAUGE	14G
P.C.D	φ 63mm
F.T.F	72mm
O.L.D	100mm
AXLE	3/8"-26T
AXLE MATERIAL	S45C
WEIGHT	265g



SF-A239RB 1S

HOLES	28H 32H 36H
GAUGE	14G
P.C.D	φ 63mm
F.T.F	60mm
O.L.D	114/120mm
AXLE	3/8"-26T
SPROKET	16T 18T
AXLE MATERIAL	S45C
WEIGHT	410g



SF-A240FB

HOLES	16H 20H
GAUGE	14G
P.C.D	φ 35mm
F.T.F	40mm
O.L.D	75/85mm
AXLE	3/8"-26T
AXLE MATERIAL	CrMo
WEIGHT	128g



SF-A240RB 1S

HOLES	16H 20H
GAUGE	14G
P.C.D	φ 45mm
F.T.F	42/60mm
O.L.D	85/95/110/120mm
AXLE	3/8"-26T
AXLE MATERIAL	CrMo
SPROKET	9T 10T 11T
WEIGHT	273g



SF-A242FBH

HOLES	28H 32H 36H
GAUGE	12G 14G
P.C.D	φ 45mm
F.T.F	66mm
O.L.D	100mm
AXLE	3/8"-24T
AXLE MATERIAL	AL-7075(T6)
WEIGHT	215g



SF-A242RBH 1S

HOLES	28H 32H 36H
GAUGE	12G 14G
P.C.D	φ 49mm
F.T.F	63mm
O.L.D	110/120mm
AXLE	φ 14mm
AXLE MATERIAL	AL-7075(T6)
SPROKET	9T 10T
WEIGHT	370g



SF-A241FB

HOLES	28H 32H 36H 48H
GAUGE	14G
P.C.D	φ 45mm
F.T.F	68mm
O.L.D	100mm
AXLE	3/8"-26T(M14"-P1.0)
AXLE MATERIAL	S45C
WEIGHT	389g



SF-A241RB 1S

HOLES	28H 32H 36H 48H
GAUGE	14G
P.C.D	φ 58mm
F.T.F	60mm
O.L.D	110/112/114mm
AXLE	M14"-P1.0
AXLE MATERIAL	S45C
SPROKET	9T 10T
WEIGHT	580g



SF-A234FB

HOLES	16H 20H 24H 28H
GAUGE	14G
P.C.D	φ 38mm
F.T.F	50mm
O.L.D	75/85/95/100mm
AXLE	3/8"-26T
AXLE MATERIAL	CrMo
WEIGHT	140g



SF-A243RB 1S

HOLES	16H 20H 24H 28H
GAUGE	14G
P.C.D	φ 49mm
F.T.F	57mm
O.L.D	120mm
AXLE	3/8"-26T
AXLE MATERIAL	CrMo
WEIGHT	285g



SF-A247FB

HOLES	24H 28H 32H 36H
GAUGE	14G
P.C.D	φ 38mm
F.T.F	72mm
O.L.D	100mm
AXLE	3/8"-26T
AXLE MATERIAL	CrMo
WEIGHT	162g



SF-A247RB 7S-12S

HOLES	24H 28H 32H 36H
GAUGE	14G
P.C.D	φ 45mm
F.T.F	57mm
O.L.D	130/135mm
AXLE	3/8"-26T
AXLE MATERIAL	CrMo
WEIGHT	400g



SF-A249FB

HOLES	28H 32H 36H
GAUGE	14G
P.C.D	φ 45mm
F.T.F	57mm
O.L.D	100mm
AXLE	3/8"-26T
AXLE MATERIAL	CrMo
WEIGHT	215g



SF-A249RB 8S-12S

HOLES	28H 32H 36H
GAUGE	14G
P.C.D	φ 45mm
F.T.F	57mm
O.L.D	135mm
AXLE	3/8"-26T
AXLE MATERIAL	CrMo
WEIGHT	400g



SF-A248FB

HOLES	20H 24H
GAUGE	14G
P.C.D	φ 32mm
F.T.F	68.5mm
O.L.D	100mm
AXLE	φ 9mm
AXLE MATERIAL	AL-7075(T6)
WEIGHT	83.5g



SF-A248RB 11S-12S

HOLES	24H 28H
GAUGE	14G
P.C.D	φ 38/49mm
F.T.F	57mm
O.L.D	130mm
AXLE	φ 10mm
AXLE MATERIAL	AL-7075(T6)
WEIGHT	240g



SF-A257RB 1S

HOLES	28H 32H 36H
GAUGE	14G
P.C.D	φ 45mm
F.T.F	57mm
O.L.D	115/120mm
AXLE	3/8"-26T
SPROKET	16T 18T
AXLE MATERIAL	S45C
WEIGHT	376g



SF-A258RB 1S

HOLES	28H 32H 36H
GAUGE	14G
P.C.D	φ 63mm
F.T.F	60mm
O.L.D	120mm
AXLE	3/8"-26T
SPROKET	16T 17T 18T
AXLE MATERIAL	S45C
WEIGHT	425g

NEW



SF-A233FH

HOLES	16H 20H 28H
GAUGE	14G
P.C.D	φ 35mm
F.T.F	50mm
O.L.D	74/85/95mm
AXLE	φ 9mm
AXLE MATERIAL	AL-7075(T6)
WEIGHT	73g



SF-A259RB 7/8S

HOLES	16H 20H 28H
GAUGE	14G
P.C.D	φ 38/49mm
F.T.F	50mm
O.L.D	112mm
AXLE	3/8"-26T
AXLE MATERIAL	AL-7075(T6)
WEIGHT	197g



SF-A262F2SE

HOLES	28H 32H 36H
GAUGE	13G 14G
P.C.D	φ 58mm
F.T.F	58mm
O.L.D	100mm
AXLE	3/8"-26T
AXLE MATERIAL	CrMo
WEIGHT	262g



SF-A262R2SE 8-12S

HOLES	28H 32H 36H
GAUGE	13G 14G
P.C.D	φ 58mm
F.T.F	56/58mm
O.L.D	135mm
AXLE	3/8"-26T
AXLE MATERIAL	CrMo
WEIGHT	434g



A260FB

HOLES	24H 28H 32H
GAUGE	14G
P.C.D	φ 58mm
F.T.F	58mm
O.L.D	100mm
AXLE	3/8-26Tmm
AXLE MATERIAL	CrMo
WEIGHT	265g



A260RB 8-12S

HOLES	24H 28H 32H
GAUGE	14G
P.C.D	φ 58mm
F.T.F	56/58mm
O.L.D	135mm
AXLE	3/8"-26Tmm
AXLE MATERIAL	CrMo
WEIGHT	447g



SF-A263FB

HOLES	28H 32H 36H
GAUGE	13G 14G
P.C.D	φ 58mm
F.T.F	83mm
O.L.D	135mm
AXLE	3/8"-26T
AXLE MATERIAL	CrMo
WEIGHT	350g



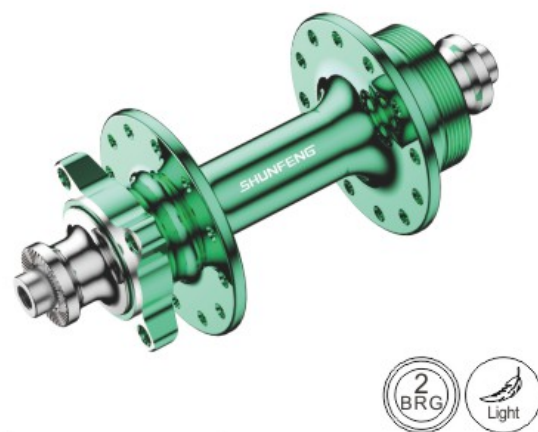
SF-A263RB 8-12S

HOLES	28H 32H 36H
GAUGE	13G 14G
P.C.D	φ 58mm
F.T.F	93/112mm
O.L.D	170/190mm
AXLE	3/8"-26T
AXLE MATERIAL	CrMo
WEIGHT	576g



SF-A266FB

HOLES	16H 24H
GAUGE	14G
P.C.D	φ 45mm
F.T.F	47mm
O.L.D	95/100mm
AXLE	3/8"-26T
AXLE MATERIAL	AL-7075(T6)
WEIGHT	135g



SF-A266RB 1S

HOLES	16H 24H
GAUGE	14G
P.C.D	φ 45mm
F.T.F	55/58mm
O.L.D	114/135mm
AXLE	3/8"-26T
AXLE MATERIAL	AL-7075(T6)
WEIGHT	155g



SF-A268FB

HOLES	28H 32H 36H
GAUGE	13G 14G
P.C.D	φ 58mm
F.T.F	62mm
O.L.D	100mm
AXLE	3/8"-26T
AXLE MATERIAL	AL-7075(T6)
WEIGHT	190g



SF-A268RB 8-12S

HOLES	28H 32H 36H
GAUGE	13G 14G
P.C.D	φ 58mm
F.T.F	56/58mm
O.L.D	135mm
AXLE	3/8"-26T
AXLE MATERIAL	AL-7075(T6)
WEIGHT	320g



SF-A269FB

HOLES	28H 32H 36H
GAUGE	13G 14G
P.C.D	φ 58/ φ 45mm
F.T.F	62mm
O.L.D	100mm
AXLE	3/8"-26T
AXLE MATERIAL	CrMo
WEIGHT	226g



SF-A269RB 8-10S

HOLES	28H 32H 36H
GAUGE	13G 14G
P.C.D	φ 58/ φ 45mm
F.T.F	56/58mm
O.L.D	135mm
AXLE	3/8"-26T
AXLE MATERIAL	CrMo
WEIGHT	295g



SF-A233H

HOLES	12H 16H 20H
GAUGE	14G
P.C.D	φ 35mm
F.T.F	50mm
O.L.D	73/85/95/100mm
AXLE	φ 9mm
AXLE MATERIAL	AL-7075(T6)
WEIGHT	77g



SF-A270RH 1S

HOLES	16H 20H
GAUGE	14G
P.C.D	φ 38mm
F.T.F	57mm
O.L.D	110mm
AXLE	φ 10mm
AXLE MATERIAL	AL-7075(T6)
WEIGHT	122g



SF-A252TL

HOLES	28H 32H 36H
GAUGE	14G
P.C.D	φ 45mm
F.T.F	57mm
WEIGHT	136g



SF-A252TR

HOLES	28H 32H 36H
GAUGE	14G
P.C.D	φ 45mm
F.T.F	57mm
WEIGHT	85g



SF-A210TL

HOLES	28H 32H 36H
GAUGE	13G 14G
P.C.D	φ 58mm
F.T.F	58mm
WEIGHT	193g



SF-A210TR

HOLES	28H 32H 36H
GAUGE	13G 14G
P.C.D	φ 58mm
F.T.F	58mm
WEIGHT	132g



SF-A235

HOLES	28H 32H 36H
GAUGE	14G
P.C.D	φ 45mm
F.T.F	58mm
WEIGHT	88g



SF-A102FB

HOLES	20H 28H 32H
GAUGE	13G 14G
P.C.D	φ 58mm
F.T.F	50.4mm
WEIGHT	333g



STEEL HUB SERIES



/ STEEL HUB /

SHUNFENG



HB01F

HOLES	20H 24H 28H 32H 36H
GAUGE	14G
P.C.D	φ 34mm
F.T.F	46/56/66/74mm
O.L.D	75/85/93/100mm
AXLE	3/8"-26Tmm
AXLE MATERIAL	S45C
WEIGHT	218g



HB06R 6-8S

HB01R 1S

HOLES	20H 24H 28H 32H 36H
GAUGE	14G
P.C.D	φ 44mm
F.T.F	56mm
O.L.D	110/112/114mm
AXLE	3/8"-26Tmm
AXLE MATERIAL	S45C
WEIGHT	380g



HB03F

HOLES	20H 28H 32H 36H
GAUGE	14G
P.C.D	φ 38mm
F.T.F	47/55/61mm
O.L.D	85/93/95/100mm
AXLE	3/8"-26Tmm
AXLE MATERIAL	S45C
WEIGHT	234g



HB05R 1S

HB03R 6-8S

HOLES	20H 28H 32H 36H
GAUGE	14G
P.C.D	φ 44mm
F.T.F	57mm
O.L.D	126/130/135mm
AXLE	3/8"-26Tmm
AXLE MATERIAL	S45C
WEIGHT	346g



HB04FB

HOLES	20H 28H 32H 36H
GAUGE	14G
P.C.D	φ 38mm
F.T.F	47/55/61mm
O.L.D	85/93/95/100mm
AXLE	3/8"-26Tmm
AXLE MATERIAL	S45C
WEIGHT	252g



HB04RB 6-8S

HOLES	20H 28H 32H 36H
GAUGE	14G
P.C.D	φ 44mm
F.T.F	57mm
O.L.D	130/135mm
AXLE	3/8"-26Tmm
AXLE MATERIAL	S45C
WEIGHT	358g



HB14F

HOLES	36H 48H 68H 72H
GAUGE	14G
P.C.D	φ 61mm
F.T.F	55mm
O.L.D	100mm
AXLE	3/8"-26Tmm(M14")
AXLE MATERIAL	S45C
WEIGHT	350g



HB14R 6-8S

HOLES	36H 48H 68H 72H
GAUGE	14G
P.C.D	φ 61mm
F.T.F	54/57mm
O.L.D	130/135mm
AXLE	3/8"-26Tmm
AXLE MATERIAL	S45C
WEIGHT	390g



HB08F

HOLES	24H 28H 32H 36H
GAUGE	14G
P.C.D	φ 44mm
F.T.F	50mm
O.L.D	96/100mm
AXLE	3/8"-26Tmm
AXLE MATERIAL	S45C
WEIGHT	300g



HB08R 6S/8S

HOLES	24H 28H 32H 36H
GAUGE	14G
P.C.D	φ 44mm
F.T.F	54/57mm
O.L.D	130/135mm
AXLE	3/8"-26Tmm
AXLE MATERIAL	S45C
WEIGHT	350g



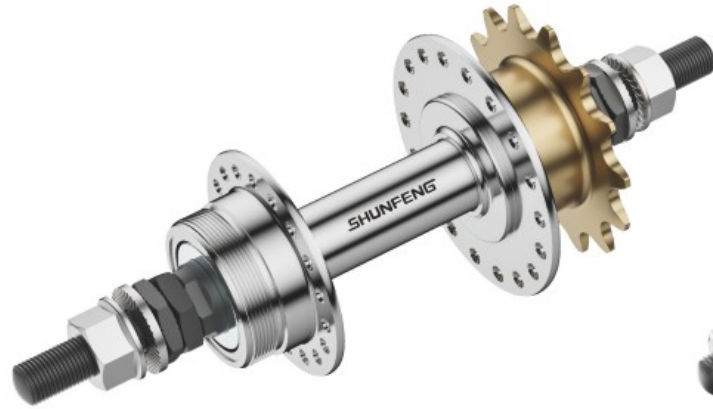
HB16F

HOLES	28H 36H 48H
GAUGE	14G
P.C.D	φ 44mm
F.T.F	56mm
O.L.D	100mm
AXLE	3/8"-26Tmm(M14")
AXLE MATERIAL	S45C
WEIGHT	410g



HB16R 1S

HOLES	28H 36H 48H
GAUGE	14G
P.C.D	φ 44mm
F.T.F	54/57mm
O.L.D	110/114mm
AXLE	3/8"-26Tmm(M14")
AXLE MATERIAL	S45C
WEIGHT	458g



HB18R 1S 14T

HOLES	28H 32H 36H
GAUGE	14G
P.C.D	φ 44/54mm
F.T.F	54mm
O.L.D	115mm
AXLE	3/8"-26Tmm
AXLE MATERIAL	S45C
WEIGHT	510g



HB18R 1S 16T

HOLES	36H
GAUGE	14G
P.C.D	φ 44mm
F.T.F	54mm
O.L.D	115mm
AXLE	3/8"-26Tmm
AXLE MATERIAL	S45C
WEIGHT	500g



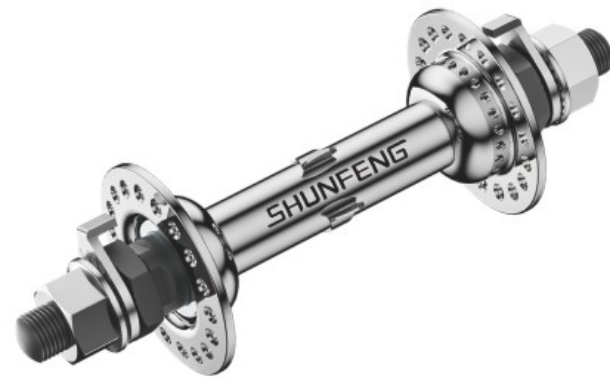
HB25FB

HOLES	28H 32H 36H
GAUGE	12G 14G
P.C.D	φ 61mm
F.T.F	50mm
O.L.D	100mm
AXLE	3/8"-26Tmm
AXLE MATERIAL	S45C
WEIGHT	375g



HB25RB 6-8S

HOLES	28H 32H 36H
GAUGE	12G 14G
P.C.D	φ 61mm
F.T.F	54/57mm
O.L.D	130/135mm
AXLE	3/8"-26Tmm
AXLE MATERIAL	S45C
WEIGHT	432g



HB24F

HOLES	28H 32H 36H
GAUGE	14G
P.C.D	φ 34mm
F.T.F	74mm
O.L.D	100mm
AXLE	3/8"-26Tmm
AXLE MATERIAL	S45C
WEIGHT	211g



HB24R 1S

HOLES	28H 32H 36H
GAUGE	14G
P.C.D	φ 44mm
F.T.F	56mm
O.L.D	110/114mm
AXLE	3/8"-26Tmm
AXLE MATERIAL	S45C
WEIGHT	390g



HB26F

HOLES	28H 32H 36H
GAUGE	12G 14G
P.C.D	φ 61mm
F.T.F	90mm
O.L.D	135mm
AXLE	3/8"-26Tmm
AXLE MATERIAL	S45C
WEIGHT	390g



HB26R 1S

HOLES	28H 32H 36H
GAUGE	12G 14G
P.C.D	φ 61mm
F.T.F	73/113mm
O.L.D	130/170mm
AXLE	3/8"-26Tmm
AXLE MATERIAL	S45C
WEIGHT	448g



HB30F

HOLES	28H 32H 36H
GAUGE	12G 14G
P.C.D	φ 61mm
F.T.F	84mm
O.L.D	135mm
AXLE	3/8"-26T
AXLE MATERIAL	S45C
WEIGHT	434g

HB30R 6-8S

HOLES	28H 32H 36H
GAUGE	12G 14G
P.C.D	φ 61mm
F.T.F	92/112/117mm
O.L.D	170/190/195mm
AXLE	3/8"-26T
AXLE MATERIAL	S45C
WEIGHT	501g



HB38F

HOLES	28H 32H 36H 48H
GAUGE	12G 14G
P.C.D	φ 44mm
F.T.F	56mm
O.L.D	100mm
AXLE	3/8"-26Tmm
AXLE MATERIAL	S45C
WEIGHT	300g



HB38R 1S

HOLES	28H 32H 36H 48H
GAUGE	12G 14G
P.C.D	φ 44mm
F.T.F	58mm
O.L.D	112/114mm
AXLE	3/8"-26Tmm
SPROCKET	9T 10T
AXLE MATERIAL	S45C
WEIGHT	408g



CT01 CITY

HOLES	32H 36H
GAUGE	12G 14G
P.C.D	φ 49mm
F.T.F	52mm
O.L.D	110-115mm
SPROCKET	18T 19T 20T
AXLE MATERIAL	S45C
WEIGHT	800g



CT02 CITY

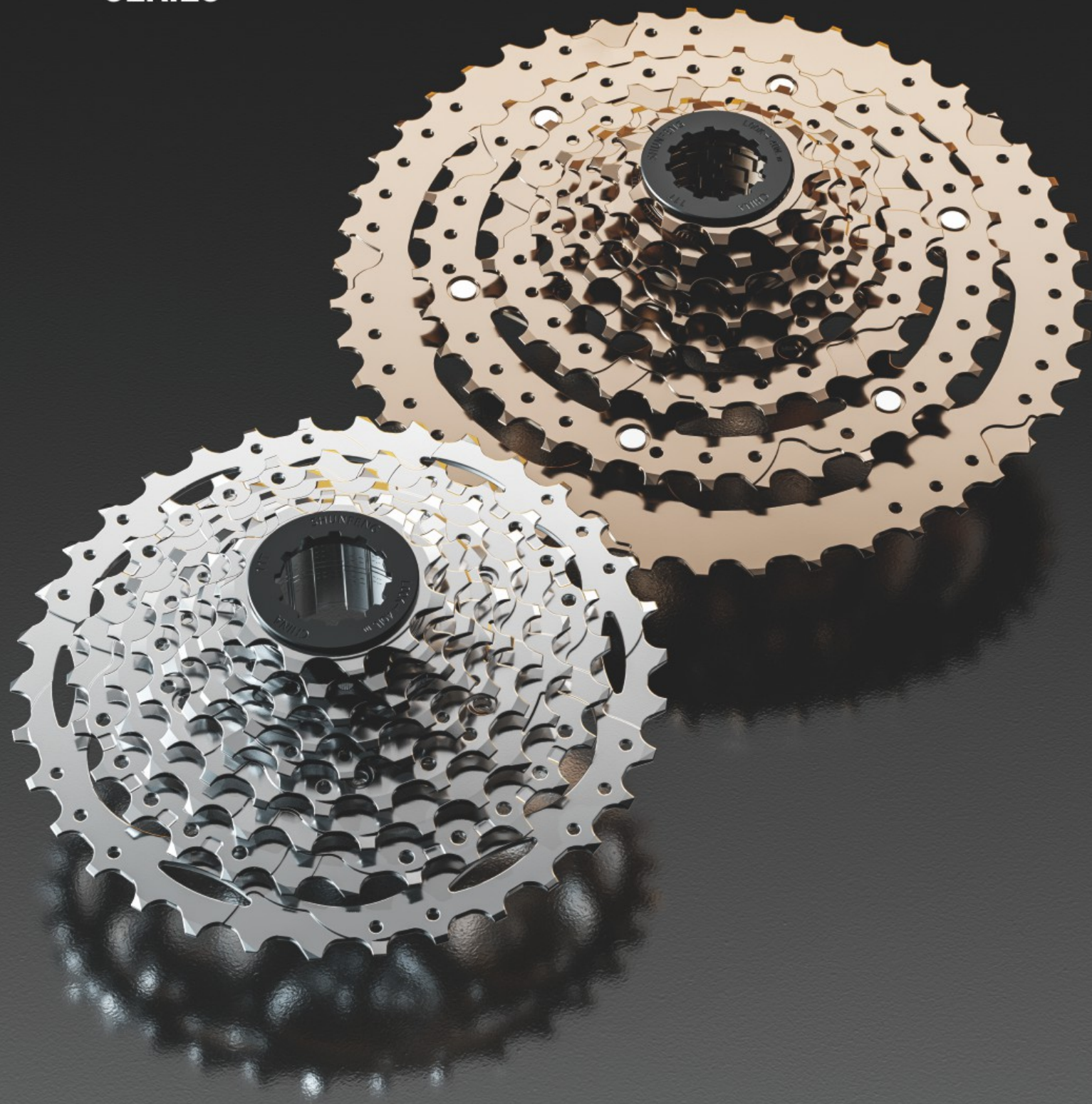
HOLES	16H 20H
GAUGE	12G 14G
P.C.D	φ 49mm
F.T.F	52mm
O.L.D	100-115mm
SPROCKET	16T 18T
AXLE MATERIAL	S45C
WEIGHT	785g



CT03 CITY

HOLES	140H
GAUGE	14G
P.C.D	φ 53/ φ 61mm
F.T.F	52mm
O.L.D	110-115mm
SPROCKET	19T 20T 22T
AXLE MATERIAL	S45C
WEIGHT	835g

FREEWHEEL SERIES



NEW



FW12

12T
1/2"x1/8"
THREAD SIZE: B1.375"-24T
FINISH: Brown



FW14

14T
1/2"x1/8"
THREAD SIZE: B1.375"-24T
FINISH: Brown



SLOT-FW

FW16 16T 1/2"x1/8"
FW18 18T 1/2"x1/8"
THREAD SIZE: B1.375"-24T
FINISH: Black Brown CP



SLAB-FW

Fw07 16T 1/2"x1/8"
FW08 18T 1/2"x1/8"
FW20 20T 1/2"x1/8"
FW22 22T 1/2"x1/8"
FW24 24T 1/2"x1/8"
THREAD SIZE: B1.375"-24T/M35x1
FINISH: Black Brown CP



FW04

REAR SPEEDS: 6S
 THREAD SIZE: B1.375"-24T
 FINISH: Brown&ED ED CP
 COMBINATION: 14-16-18-21-24-28



FW05

REAR SPEEDS: 7S
 THREAD SIZE: B1.375"-24T
 FINISH: Brown&ED ED CP
 COMBINATION: 14-16-18-20-22-24-28



FW30

REAR SPEEDS: 8S
 THREAD SIZE: B1.375"-24T
 FINISH: Brown&ED ED CP
 COMBINATION: 13-14-16-18-20-22-24-28

NEW



FW824

REAR SPEEDS: 8S
 THREAD SIZE: B1.375"-24T
 FINISH: Brown&ED ED CP
 COMBINATION: 13-14-16-18-20-24-28-34



FW06

REAR SPEEDS: 7S
 THREAD SIZE: B1.375"-24T
 FINISH: Brown&ED ED CP
 COMBINATION: 14-16-18-20-22-24-34



FW724

REAR SPEEDS: 7S
 THREAD SIZE: B1.375"-24T
 FINISH: Brown&ED ED CP
 COMBINATION: 14-16-18-20-24-28-34



FW832

REAR SPEEDS: 8S
 THREAD SIZE: B1.375"-24T
 FINISH: Brown&ED ED
 COMBINATION: 12-14-16-18-21-24-28-32



CS23

REAR SPEEDS: 8S
 FINISH: ED CP
 COMBINATION: 11-12-14-16-18-22-24-28
 11-12-14-16-18-22-24-34



CS26

REAR SPEEDS: 8S
 FINISH: ED CP
 COMBINATION: 11-13-15-17-20-23-26-34



CS33

REAR SPEEDS: 9S
 FINISH: ED CP
 COMBINATION: 11-12-14-16-18-20-22-28-34



CS45

REAR SPEEDS: 8S
 FINISH: ED CP
 COMBINATION: 11-13-15-18-22-27-35-45



CS46

REAR SPEEDS: 8S
 FINISH: ED CP
 COMBINATION: 11-13-15-18-22-28-34-46



SF-AX01

F.Axle:108 R.Axle:140 145 Finish:UCP P

SF-AX02

F.Axle:125-145 R.Axle:150-190 Finish:UCP P NI



SF-AX03

F.Axle:125-145 R.Axle:150-190 Finish:UCP P NI

SF-AX04

F.Axle:130-145 R.Axle:165-200 Finish:UCP P



SF-AX05

F.Axle:120-125 R.Axle:150-155 Finish:UCP P

SF-AX07

F.Axle:108 R.Axle:140-145 Finish:UCP P



QR01 QUICK RELEASE

Material	ALLOY
F.QR:	M5x109-115
R:	M5x141-155
COLOR	Silver Red Blue Purple Black Yellow



QR02 QUICK RELEASE

Material	ALLOY
F.QR:	M5x109-115
F.QR:	M5x141-155
COLOR	Silver Red Blue Purple Black Yellow



QR03 QUICK RELEASE

Material	ALLOY
F.QR:	M5x109-115
F.QR:	M5x141-155
COLOR	Silver Red Blue Purple Black Yellow



QR31 QUICK RELEASE

Material	ALLOY
F.QR:	M5x109-115
F.QR:	M5x141-155
COLOR	Silver Red Blue Purple Black Yellow



QR33 QUICK RELEASE

Material	ALLOY
F.QR:	M5x109-115
F.QR:	M5x141-155
COLOR	Silver Red Blue Purple Black Yellow



QR34 QUICK RELEASE

Material	ALLOY
F.QR:	M5x109-115
F.QR:	M5x141-155
COLOR	Silver Red Blue Purple Black Yellow



QR41 QUICK RELEASE

Material	ALLOY
F.QR:	M5x109-115
F.QR:	M5x141-155
COLOR	Silver Red Blue Purple Black Yellow



QR51 QUICK RELEASE

Material	ALLOY
F.QR:	M5x109-115
F.QR:	M5x141-155
COLOR	Silver Red Blue Purple Black Yellow

DISC BRAKE SERIES



LOLA301

Hydraulic disc brake, Mineral oil	Caliper:
Brake lever:	2 Piston, Aluminum alloy forged body
Steel lever and Aluminum bracket	I.S or PM
Two-pieces bracket	F: 203mm 180mm 160mm 140mm
3 Finger blade	R: 180mm 160mm 140mm 120mm



LOLA302

Hydraulic disc brake, Mineral oil	Caliper:
Brake lever:	2 Piston, Aluminum alloy forged body
Steel lever and Aluminum bracket	I.S or PM
Two-pieces bracket	F: 203mm 180mm 160mm 140mm
3 Finger blade	R: 180mm 160mm 140mm 120mm



LOLA312

Hydraulic disc brake, Mineral oil	Caliper:
Brake lever:	2 Piston, Aluminum alloy forged body
Aluminum lever and bracket	Brake pads are easy to change quickly
Two-pieces bracket	I.S or PM
2 Finger blade	F: 203mm 180mm 160mm 140mm
	R: 180mm 160mm 140mm 120mm



LOLA342

Hydraulic disc brake, Mineral oil	Caliper:
Brake lever:	4 Piston, Aluminum alloy forged body
Aluminum lever and bracket	Brake pads are easy to change quickly
Two-pieces bracket	I.S or PM
2 Finger blade	F: 203mm 180mm 160mm 140mm
	R: 180mm 160mm 140mm 120mm



EULA401

For e-bike, Mineral oil
 Brake lever:
 Steel lever and bracket
 With power cut-off sensor
 Two-pieces bracket
 3 Finger blade

Caliper:
 2 Piston, Aluminum alloy forged body
 Brake pads are easy to change quickly
 I.S or PM
 F:203mm 180mm 160mm 140mm
 R:180mm 160mm 140mm 120mm



EULA441

For e-bike, Mineral oil
 Brake lever:
 Steel lever and bracket
 With power cut-off sensor
 Two-pieces bracket
 3 Finger blade

Caliper:
 4 Piston, Aluminum alloy forged body
 Brake pads are easy to change quickly
 I.S or PM
 F:203mm 180mm 160mm 140mm
 R:180mm 160mm 140mm 120mm



DULA601

Hydraulic disc brake, Mineral oil
 Brake lever:
 Aluminum alloy forged lever and bracket
 2 Finger blade
 Two pieces hinged bracket

Caliper:
 2 Piston, Aluminum alloy forged body
 Brake pads are easy to change quickly
 I.S or PM
 F:203mm 180mm 160mm 140mm
 R:180mm 160mm 140mm 120mm



DULA641

Hydraulic disc brake, Mineral oil
 Brake lever:
 Aluminum alloy forged lever and bracket
 2 Finger blade
 Two pieces hinged bracket

Caliper:
 4 Piston, Aluminum alloy forged body
 Brake pads are easy to change quickly
 I.S or PM
 F:203mm 180mm 160mm 140mm
 R:180mm 160mm 140mm 120mm



SL-R527

For road bike
 Cable hydraulic disc brake, Mineral oil
 2 Piston, Aluminum alloy forged body
 Brake pads are easy to change quickly
 Flat mount
 F:160mm 140mm
 R:160mm 140mm



SL-M370

Mechanical disc brake
 Aluminum two-piece body
 Adjustable brake pad clearance

I.S or PM
 F:203mm 180mm 160mm 140mm
 R:180mm 160mm 140mm 120mm



SL-M350

Mechanical disc brake
 Aluminum two-piece body
 Quick replaceable brake pad
 Adjustable brake pad clearance

Effective brake clearance of 2.9-3.2mm, easy to install
 I.S or PM
 F:203mm 180mm 160mm 140mm
 R:180mm 160mm 140mm 120mm



SL-M360

Mechanical disc brake, Side lock cable
 Aluminum two-piece body
 Quick replaceable brake pad
 Adjustable brake pad clearance

Effective brake clearance of 2.9-3.2mm, easy to install
 I.S or PM
 F:203mm 180mm 160mm 140mm
 R:180mm 160mm 140mm 120mm



SL-M400

Mechanical disc brake
 Single-piece aluminum body
 Automatic caliper centering (A.C.C)
 Pad adjustment

Automatic pad angle adjustment via floating plates
 Effective brake clearance of 2.9-3.2mm, easy to install
 I.S or PM
 F:203mm 180mm 160mm 140mm
 R:180mm 160mm 140mm 120mm



SL-M460

Mechanical disc brake
 Single-piece aluminum body
 Automatic caliper centering (A.C.C)
 Pad adjustment
 Automatic pad angle adjustment via floating plates
 Effective brake clearance of 2.9-3.2mm, easy to install

I.S or PM
 F:203mm 180mm 160mm 140mm
 R:180mm 160mm 140mm 120mm



SL-R315

Mechanical disc brake, for road bike
 Single-piece aluminum body
 Automatic caliper centering (A.C.C)
 Pad adjustment
 Automatic pad angle adjustment via floating plates

Flat mount
 F:160mm 140mm
 R:160mm 140mm

DISC BRAKE ROTOR

SHUNFENG



RT600
Fixed method center lock
Thickness 1.8mm
Material stainless steel+ steel inner piece
Size φ160



RT602
Fixed method center lock
Thickness 1.8mm
Material stainless steel+ steel inner piece
Size φ160



RT610
Fixed method center lock
Thickness 1.8mm
Material stainless steel+ aluminum inner piece
Size φ160



RT700
Fixed method center lock
Thickness 1.8mm
Material stainless steel+ aluminum inner piece
Size φ160



RT536
Fixed method 6-bolt
Thickness 1.8mm
Material stainless steel
Size φ180/φ160



RT525
Fixed method 6-bolt
Thickness 1.8mm
Material stainless steel
Size φ160



RT520
Fixed method 6-bolt
Thickness 1.8mm
Material stainless steel
Size φ160



RT530
Fixed method 6-bolt
Thickness 1.8mm
Material stainless steel
Size φ180/φ160/φ140



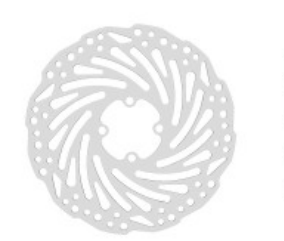
RT515
Fixed method 6-bolt
Thickness 1.8mm
Material stainless steel
Size φ180/φ160



RT545
Fixed method 6-bolt
Thickness 1.8mm
Material stainless steel
Size φ160



RT500
Fixed method 6-bolt
Thickness 1.8mm
Material stainless steel
Size φ180/φ160/φ140



RT140
Fixed method 4-bolt/6-bolt
Thickness 1.8mm
Material stainless steel
Size φ140/φ120

DISC BRAKE PAD

SHUNFENG

SL-DC01

Shimano XTR M965, M596



SL-DC02

Avid bb5



SL-DC03

Formula ORO



SL-DC06

Shimano Deore M515, M516, M525, Tektro, Aurgia



SL-DC07

Avid bb7 All juicy models



SL-DC08

Lola 301/Euler 500 Shimano XTR M985, M988, M785, SLX M666



SL-DC09

Avid Elixir R, CR Mag, 1.3, 5.7, 9, X0



SL-DC11

Avid code



SL-DC12

HAYES HFX-mag Dromax



SL-DC13

Avida xo Trail Elixir Tqtrail



SL-DC14

promax ds 400/610/650



SL-DC15



SL-DC17

SHENGLU SL-M350E/M360E



SL-DC19

SHENGLU SL-M370



SL-DC20

SRAM AVID CODE2011



SL-DC21

SHIMANO XT M755/756



SL-DC22

SHIMANO SAINT



SL-DC23

MAGURA MT2/MT4/MT6/MT8



SL-DC16

SHENGLU SL-R527 SHIMANO XTR BR-R9170 / BR-R8070 / BR-R7070 / BR-U5000 / BR-M9100 BR-RS805 / BR-RS505 / BR-RS405 / BR-RS305



SL-DC24

MAGURA M17



SL-DC25

GIANT MPH2001-2005

